

Electronic Proximity™ Sensing Technology Lavatory Faucets

HDF®
COMMERCIAL

DELTA®

SPECIFICATION: (example)

- Deck mount electronic lavatory faucet
- All metal spout construction
- **Proximity™ Sensing Technology**
- Hardwire units supplied with 24 VAC to 6 VDC converter (Transformer required). (Specify separately)
- Battery units supplied with 4 "AA" cell batteries
- Surface mount control box
- Mixing valve required (Order separately)
- Vandal resistant 0.5 gpm (1.9 L/min) flow control non-aerating spray outlet

590-P Series

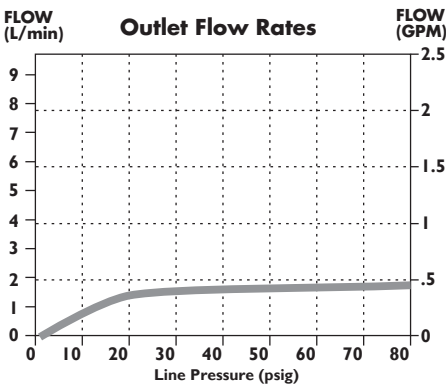
- Center mount, single hole installation
- ☐ **590-PLGHDF** (Battery)
- ☐ **590-PLGHDFHW** (Hardwire)
- ☐ **590-PLGHDFHW-BB** (Hardwire with Battery Backup)

OPERATION:

- Hands free (touchless) operation.
- No visible sensor, the spout is the sensor.
- Water flows when sensing is activated.
- Water flow stops upon de-activation of sensing.
- Adjustable sensing distance factory set to 76 mm (3").
- Low battery audible beep (for battery models only) will activate after faucet shuts off when approximately 1500 cycles remain.
- Adjustable auto shut off feature. Factory set to 45 seconds.
- Metering mode with selectable flow times of 7 seconds to 4 minutes, factory set off.
- Periodic Rinse feature, time adjustable in 6 hour increments up to 2 days. Selectable rinsing lengths from 10 to 180 seconds. Factory set off.

NOTE: For optimum performance of this product, we recommend a system pressure between 20 and 80 PSI static. This product will operate up to a maximum of 125 PSI static per ANSI and CSA requirements. However, we do not recommend pressures above 80 PSI. Thermal expansion or leaking pressure reducing valves may require use of expansion tanks or relief valves to ensure your system never exceeds its maximum intended pressure setting.

FLOW RATE vs PRESSURE



Approvals:

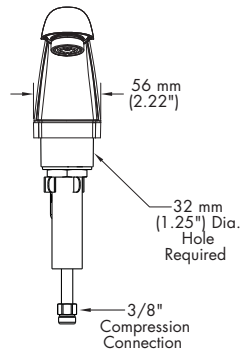
- CSA certified
- Complies to ASME A112.18.1/CSA B125.1
- Indicates ADA compliance to ICC/ANSI A117.1/ADA
- Verified compliant with 0.25% weighted average Pb content regulations

(Contact Delta Representative for State and/or Local Approvals.)
U.S. Patent #6, 826, 455.

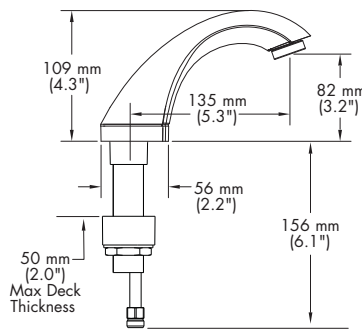


590-P SERIES ELECTRONIC DECK MOUNT LAVATORY FAUCET

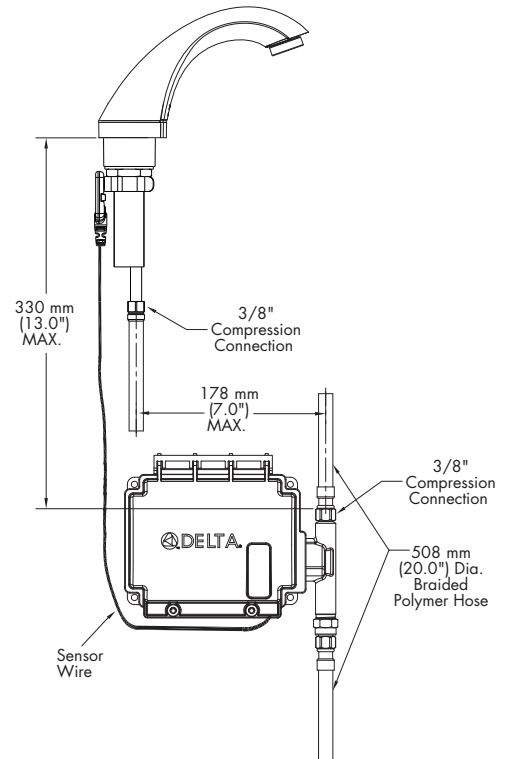
FRONT VIEW



SIDE VIEW



590-P SERIES TYPICAL INSTALLATION



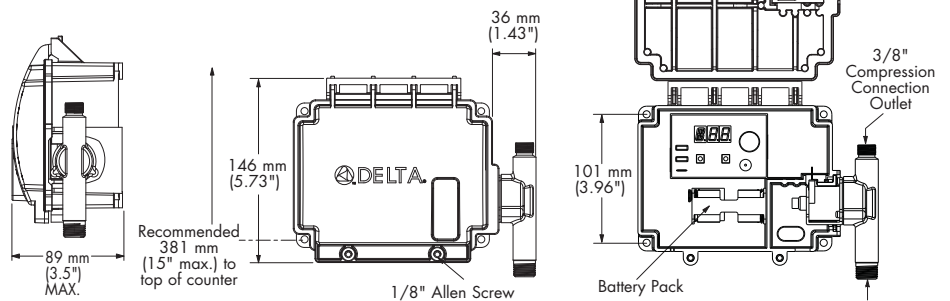
VANDAL PROOF SURFACE MOUNT HOUSING

Battery Operated box shown.

Hardwire Version comes complete with Watertight Connector and Hardwire Converter 24VAC to 6VDC.

Hardwire with Battery Backup (-BB) comes complete with Watertight Connector, Hardwire Converter 24VAC to 6VDC and 9V battery.

See DSP-BB for detailed specification (found in the "Add-On Option" section when using the printed spec binder).



Note: Measurements may vary ± 6mm (0.25")

Batteries included on all battery models.

Delta reserves the right (1) to make changes in specifications and materials, and (2) to change or discontinue models, both without notice or obligation. Dimensions are for reference only. See current full-line price book or www.specselect.com for finish options and product availability.

Flow Rates are at 60 PSI.
Note: Use this page as a product submittal sheet. Refer to www.specselect.com for individual models.



HDF[®]
COMMERCIAL

Electronic Proximity™ Sensing Technology Lavatory Faucets

SPECIFICATION: (example)

- Deck mount electronic lavatory faucet
- All metal spout construction
- **Proximity™ Sensing Technology**
- Hardwire units supplied with 24 VAC to 6 VDC converter (Transformer required). (Specify separately)
- Battery units supplied with 4 "AA" cell batteries
- Surface mount control box
- Mixing valve required (Order separately)
- Vandal resistant 0.5 gpm (1.9 L/min) flow control non-aerating spray outlet

591-P Series

4" (102mm) centers – 7.5" (191mm),
Forged coverplate with anti-rotation pin

- 591-PLGHDF** (Battery)
- 591-PLGHDFHW** (Hardwire)
- 591-PLGHDFHW-BB** (Hardwire with Battery Backup)

592-P Series

8" (203mm) centers – 11.1" (282mm),
Forged coverplate with anti-rotation pin

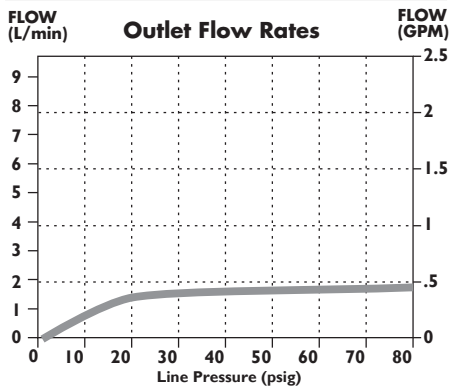
- 592-PLGHDF** (Battery)
- 592-PLGHDFHW** (Hardwire)
- 592-PLGHDFHW-BB** (Hardwire with Battery Backup)

OPERATION:

- Hands free (touchless) operation.
- No visible sensor, the spout is the sensor.
- Water flows when sensing is activated.
- Water flow stops upon de-activation of sensing.
- Adjustable sensing distance factory set to 76 mm (3").
- Low battery audible beep (for battery models only) will activate after faucet shuts off when approximately 1500 cycles remain.
- Adjustable auto shut off feature. Factory set to 45 seconds.
- Metering mode with selectable flow times of 7 seconds to 4 minutes, factory set off.
- Periodic Rinse feature, time adjustable in 6 hour increments up to 2 days. Selectable rinsing lengths from 10 to 180 seconds. Factory set off.

NOTE: For optimum performance of this product, we recommend a system pressure between 20 and 80 PSI static. This product will operate up to a maximum of 125 PSI static per ANSI and CSA requirements. However, we do not recommend pressures above 80 PSI. Thermal expansion or leaking pressure reducing valves may require use of expansion tanks or relief valves to ensure your system never exceeds its maximum intended pressure setting.

FLOW RATE vs PRESSURE



Approvals:

- CSA certified
 - Complies to ASME A112.18.1/CSA B125.1
 - Indicates ADA compliance to ICC/ANSI A117.1/ADA
 - Verified compliant with 0.25% weighted average Pb content regulations (Contact Delta Representative for State and/or Local Approvals.)
- U.S. Patent #6, 826, 455.



Batteries included on all battery models.
Note: Use this page as a product submittal sheet.
Refer to www.specselect.com for individual models.

591-P & 592-P SERIES
ELECTRONIC DECKMOUNT LAVATORY FAUCET

FRONT VIEW

591-P & 592-P SERIES
TYPICAL INSTALLATION

SIDE VIEW

VANDAL PROOF SURFACE MOUNT HOUSING

Battery Operated box shown.

Hardwire Version comes complete with Watertight Connector and Hardwire Converter 24VAC to 6VDC.

Hardwire with Battery Backup (-BB) comes complete with Watertight Connector, Hardwire Converter 24VAC to 6VDC and 9V battery.

See DSP-BB for detailed specification (found in the "Add-On Option" section when using the printed spec binder).

Note: Measurements may vary ± 6mm (0.25")

Delta reserves the right (1) to make changes in specifications and materials, and (2) to change or discontinue models, both without notice or obligation. Dimensions are for reference only. See current full-line price book or www.specselect.com for finish options and product availability.