



Electronic Flush Valves & Retrofit Kits

Rough-in for 1600T6103TR Hardwire operated concealed flush valve-for Wallhung Water Closet with 1.5" Back Inlet spud and 14" x 14" front access cover

Model No: 1600T6103RI

COMPLIES WITH:

- IAPMO listed to CSA B125.3/ASSE 1037.
- ADA compliant to meet Handicapped Accessibility Standard ICC/ ANSI 117.1 of less than 5 lbs operating force
- (Contact Delta Representative for State and/or Local Approvals)



SPECIFICATION:

- Roughin Only (Trim must be purchased separately)
- Electronic solenoid activated Teck® concealed diaphragm flush valve
- Adjustable 110mm (4.31") to 132mm (5.19") inlet/valve outlet centers
- Vacuum breaker
- Renewable seat
- Chloramine resistant diaphragm attached to guide with forged metal retainer
- Pressure loss check angle stop with wheel handle
- HARD WIRE operated
- For WALLHUNG WC with 1 1/2" BACK inlet
- With metal mounting frame for 14" x 14" Front Access Wallplate
- External water conserving flush adjustment: Factory set to 6 Litre(1.6 Gal.) - Field Adjustable from 4.8L to 25L (1.27 to 6.6 Gal.)

OPERATION:

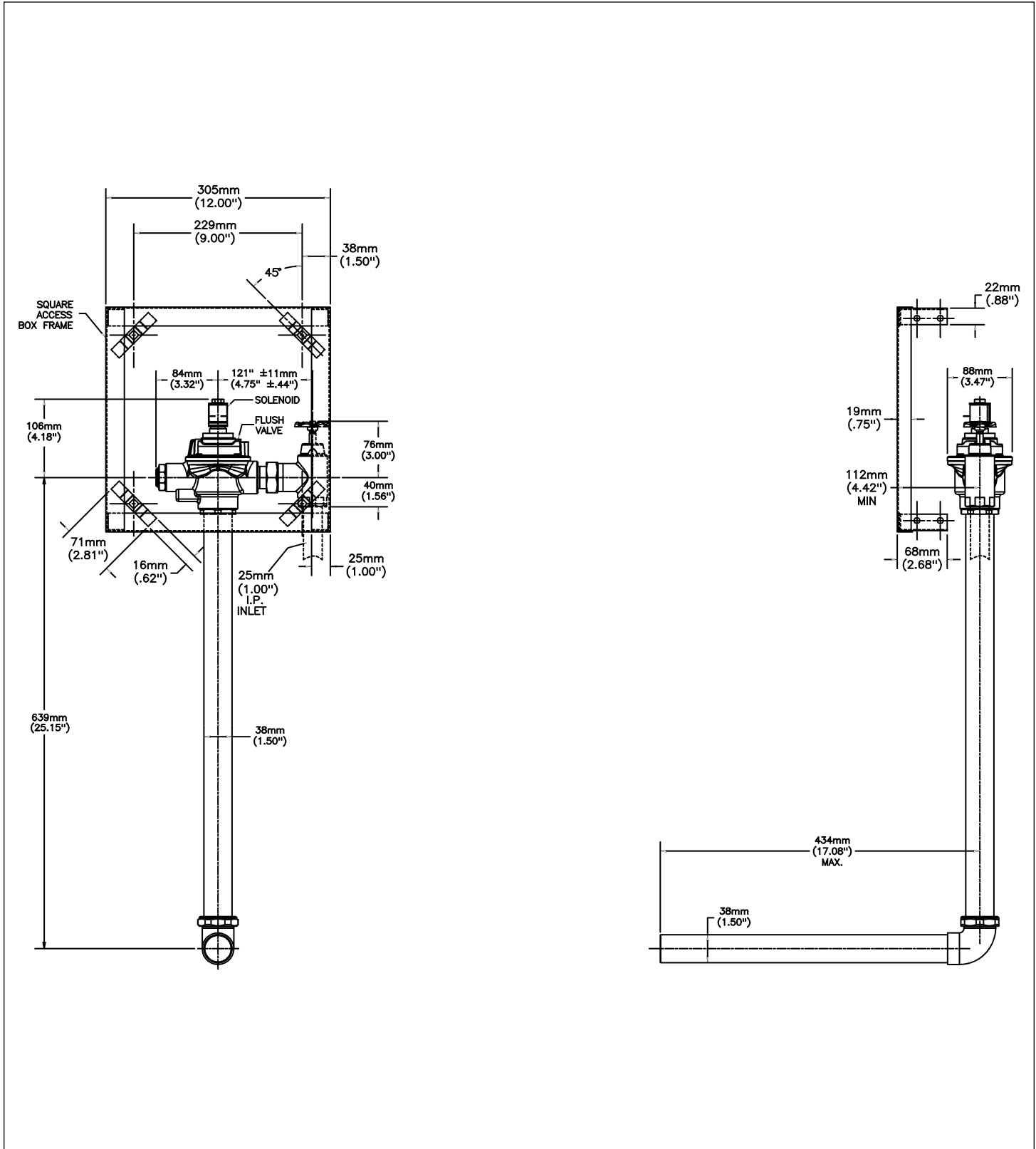
- 8 second blocking time
- 4 second activation delay
- Selectable sensing distance: 24" to 56" in 8" increments. Factory set to 40"
- 24 hour courtesy flush factory set to off
- Adjustable flush volume using adjustment screw on flush valve

(Dimensional drawing on following page)

Delta reserves the right (1) to make changes to specifications and materials, and (2) to change or discontinue models, both without notice or obligation. Dimensions are for reference. Measurement may vary plus or minus 6mm(0.25"). Mounting locations are suggested only. Check with local codes for requirements in your area. This spec was produced January 29, 2014.

Delta Faucet Company - 55 East 111th St. - Indianapolis, Indiana, USA 46280 - (317) 848-1812
Delta Faucet Canada - 395 Matheson Blvd E - Mississauga, Ontario, Canada L4Z 2H2 - (905) 712-3030

Model No: 1600T6103RI



Delta reserves the right (1) to make changes to specifications and materials, and (2) to change or discontinue models, both without notice or obligation. Dimensions are for reference. Measurement may vary plus or minus 6mm(0.25"). Mounting locations are suggested only. Check with local codes for requirements in your area. This spec was produced January 29, 2014.

Delta Faucet Company - 55 East 111th St. - Indianapolis, Indiana, USA 46280 - (317) 848-1812
 Delta Faucet Canada - 395 Matheson Blvd E - Mississauga, Ontario, Canada L4Z 2H2 - (905) 712-3030